

## Framless Shower Door Hinges

ITEM NO. SHC-90LM

### SPECIFICATIONS

Glass Sizes: 5/16"-3/8"(8mm-10mm)

Material : Stainless Steel 304/316/316L/ 2205

Includes: Hinge body, glazing gaskets, mounting screws, Allen head/Phillips head cover plate screws

Use: Residential Bath and Commercial Hotel Applications

### GASKET SPECIFICATIONS:

For 5/16" (8 mm) Glass: Use One Thick Gasket On Each Side

For 3/8" (10 mm) Glass: Use One Thin Gasket On Each Side

### GLASS INSTRUCTIONS:

Only use tempered safety glass.

To prevent damage to the hinge finish during installation,

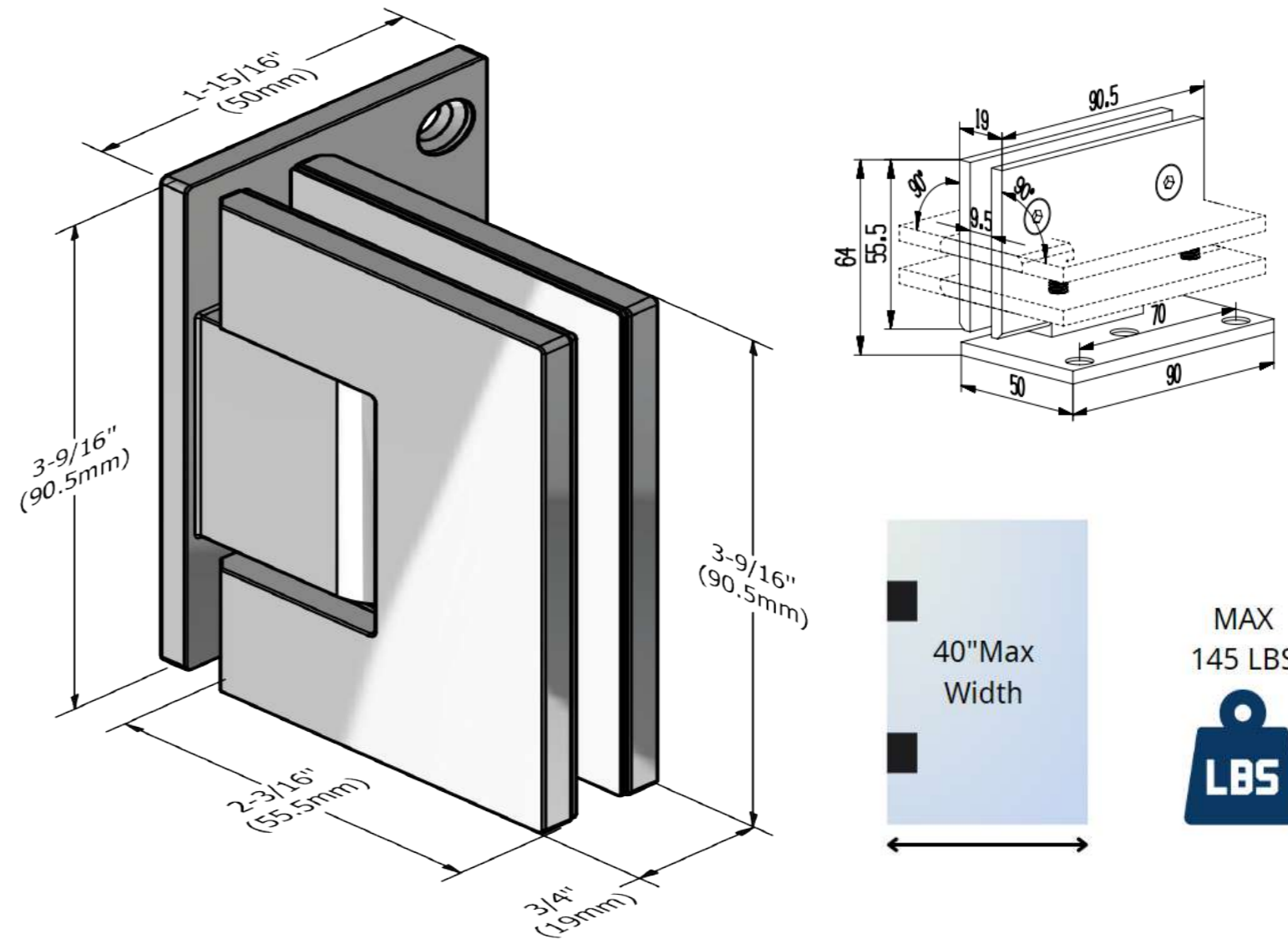
Do not use power tools when installing these hinges.

### IMPORTANT INFORMATION:

- 1.The normal door closing rotation angle is 90 degrees.
2. Mounting Type : Wall Mount

MAXIMUM DOOR CAPACITY	5/16" (8 mm) Glass		3/8" (10 mm) GLASS	
	WEIGHT	WIDTH	WEIGHT	WIDTH
USING 2 HINGES	145 LBS. (65 kg)	40" (1016 mm)	145 LBS. (65 kg)	40" (1016 mm)

**NOTE: Do not exceed either maximum weight or width when choosing proper quantity of hinges.**



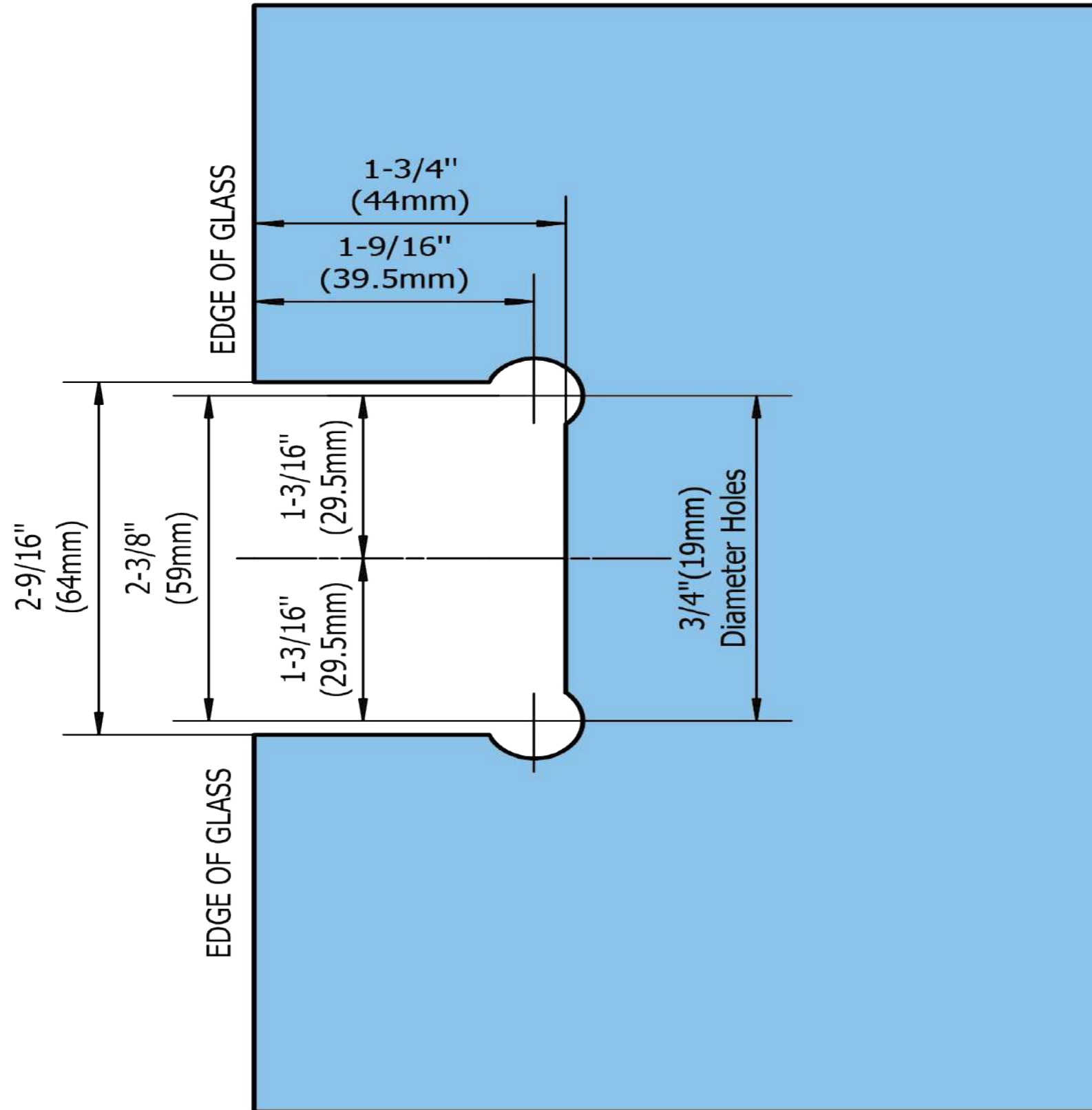
### CLEANING & MAINTENANCE GUIDELINES:

For best results, keep the following recommendations in mind when caring for your Easia shower door hardware.

- 1.Wipe the hinges with a soft cloth dampened with mild soapy water. Avoid using harsh or abrasive cleaners that may damage the finish or surface of the hinge.
- 2.After cleaning, dry the hinges thoroughly with a clean, dry cloth to prevent water spots or stains.
- 3.Apply a silicone-based lubricant to the hinge pivot points periodically. This helps to maintain smooth movement and prevents stiffness or squeaking.
- 4.Prevent heavy impacts or excessive force on the hinges as it may affect their structural integrity.
- 5.Never use abrasive products, sponges, or wire scrub brushes while cleaning hardware.

# Framless Shower Door Hinges

ITEM NO. SHC-90LM



DO NOT MEASURE / SCALE DRAWING

USE DIMENSIONS SHOWN

### IMPORTANT INFORMATION:

Measure from Finished Edge of Glass



For Heavier and Wider Doors



7\*24 Online Support